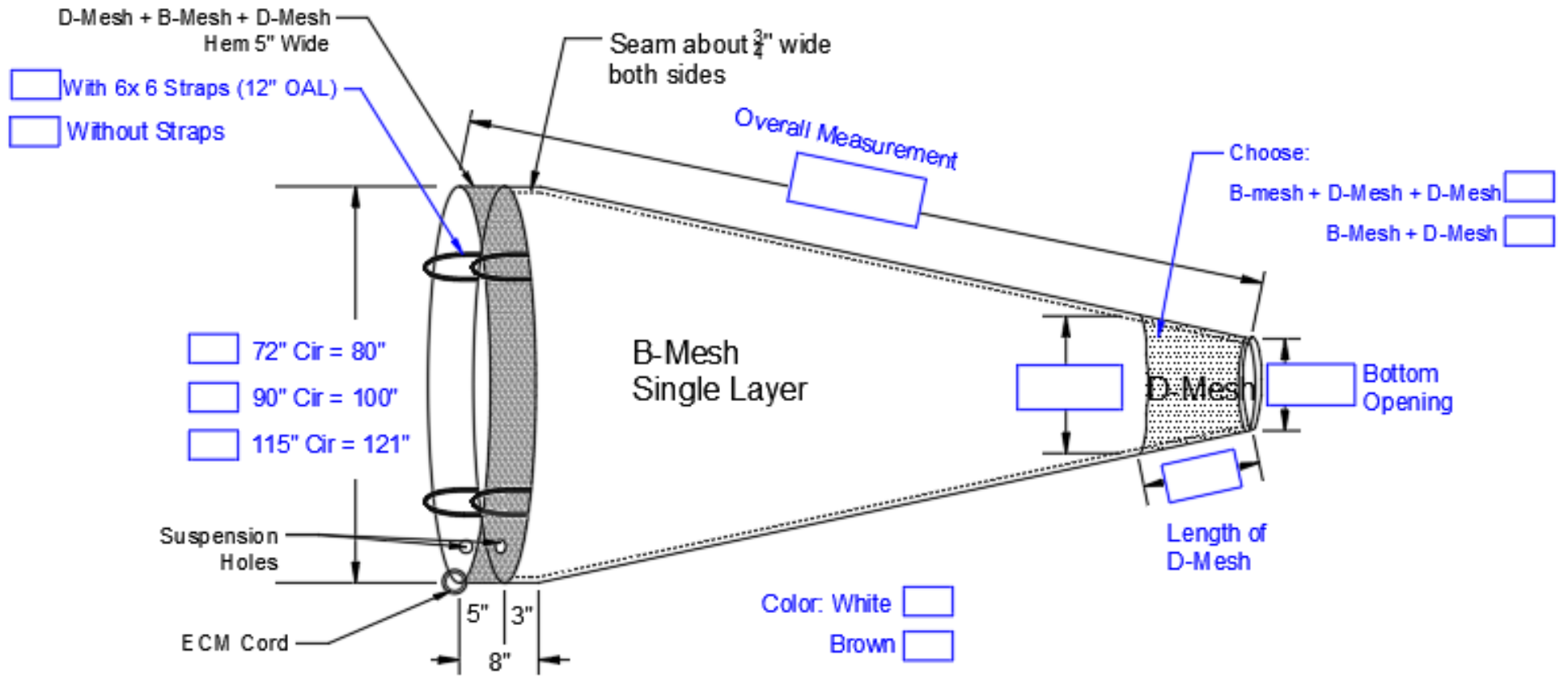


Name/Company: \_\_\_\_\_

Date: \_\_\_\_\_



All measurements made with net flat on ground  
All measurements are + or - 1"  
Please make all measurements in Inches